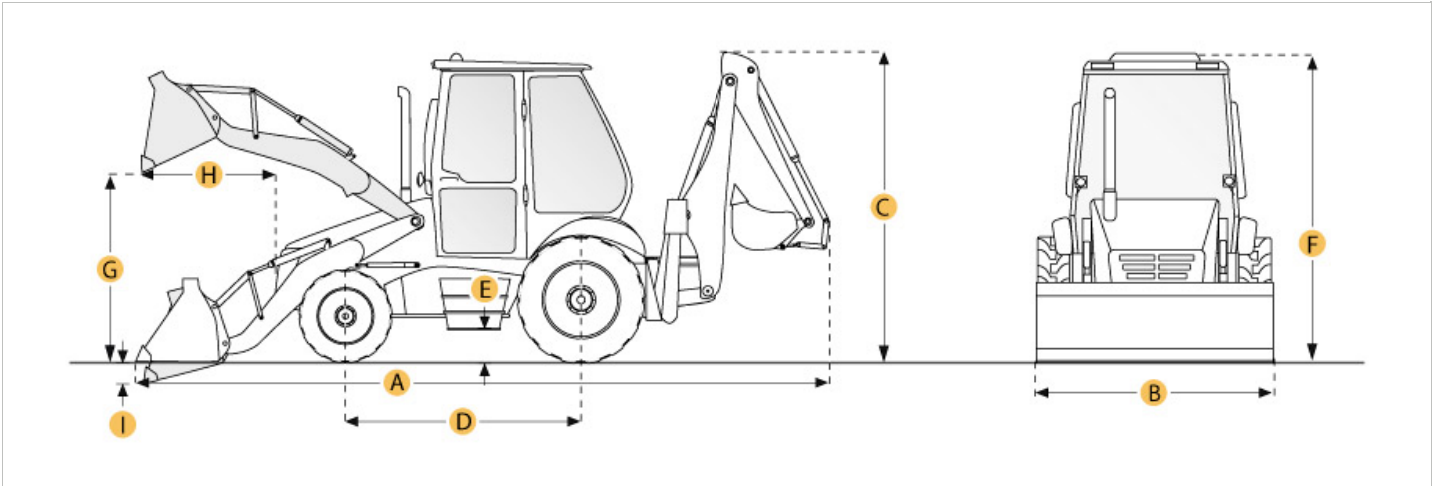


CASE 580 SUPER N LOADER BACKHOE



Selected Dimensions

Backhoe

J. LOAD HEIGHT - STD	12 ft in	3670 mm
K. REACH FROM SWIVEL - STD	18.2 ft in	5550 mm
L. DIG DEPTH - STD	14.5 ft in	4410 mm
M. REACH AT LOAD HEIGHT - STD	4.6 ft in	1410 mm

Dimensions

A. TRANSPORT LENGTH	23.4 ft in	7140 mm
B. TRANSPORT WIDTH	7.1 ft in	2170 mm
C. TRANSPORT HEIGHT	10.8 ft in	3290 mm
D. WHEELBASE	7 ft in	2130 mm
E. GROUND CLEARANCE	1 ft in	304 mm
F. HEIGHT TO TOP OF CAB	8.8 ft in	2680 mm

Loader

G. CLEARANCE AT MAX DUMP HEIGHT	8.8 ft in	2690 mm
H. REACH AT MAX DUMP HEIGHT	2.6 ft in	801 mm
I. DIG DEPTH	6.1 in	155 mm

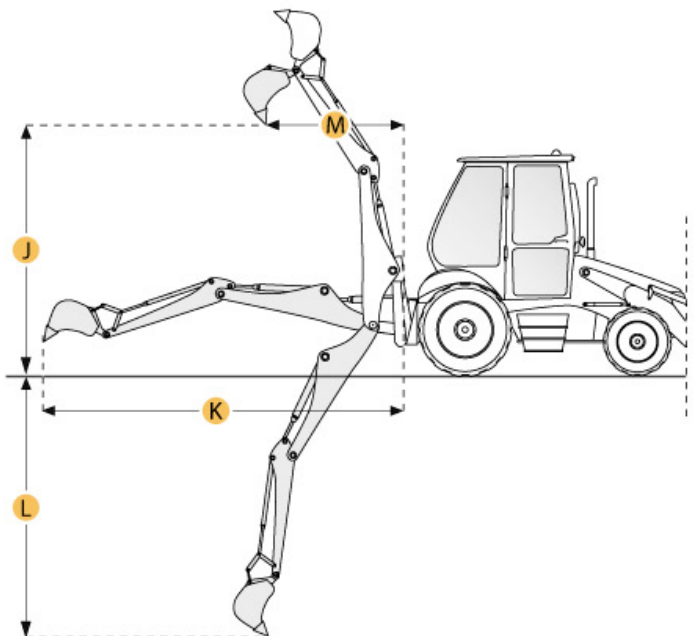
Specification

Engine

MAKE	Case	
MODEL	445TA/E3	
NET POWER	92 hp	68.6 kw
GROSS POWER	97 hp	72.3 kw
DISPLACEMENT	274 cu in	4.5 L
POWER MEASURED @	2200 rpm	
TORQUE MEASURED @	1400 rpm	
NUMBER OF CYLINDERS	4	
NET TORQUE RISE	45 %	
NET MAX TORQUE	328 lb ft	444.7 Nm
ASPIRATION	Turbocharged	

Operational

OPERATING WEIGHT 2WD	16239 lb	7365.9 kg
----------------------	----------	-----------



OPERATING WEIGHT 4WD	17226 lb	7813.6 kg
FUEL CAPACITY	42 gal	159 L
HYDRAULIC SYSTEM FLUID CAPACITY	31.5 gal	119.2 L
OIL SYSTEM FLUID CAPACITY	3.6 gal	13.6 L
COOLING SYSTEM FLUID CAPACITY	4.8 gal	18 L
TRANSMISSION FLUID CAPACITY	5.3 gal	20 L
FRONT AXLE FLUID CAPACITY	2 gal	7.7 L
REAR AXLE FLUID CAPACITY	3.6 gal	13.6 L
TURNING RADIUS	11 ft in	3352.8 mm
TIRE SIZE FRONT - 2WD / 4WD	11L x 16 / 12 x 16.5	
REAR TIRES SIZE 2WD/4WD	19.5L x 24	
OPERATING VOLTAGE	12 V	
ALTERNATOR SUPPLIED AMPERAGE	120 amps	

Transmission

TYPE	Power shuttle syncromesh	
NUMBER OF FORWARD GEARS	4	
NUMBER OF REVERSE GEARS	4	
MAX SPEED - FORWARD	24 mph	38.6 km/h
MAX SPEED REVERSE	28.8 mph	46.3 km/h

Backhoe

DIG DEPTH - STD	14.5 ft in	4410 mm
DIG DEPTH - EXT	17.9 ft in	5470 mm
REACH FROM SWIVEL - STD	18.2 ft in	5550 mm
REACH FROM SWIVEL - EXT	21.6 ft in	6580 mm
LOAD HEIGHT - STD	12 ft in	3670 mm
LOAD HEIGHT - EXT	14.4 ft in	4380 mm
REACH AT LOAD HEIGHT - STD	4.6 ft in	1410 mm
REACH AT LOAD HEIGHT - EXT	7.2 ft in	2200 mm

Loader

BUCKET CAPACITY	1 yd ³	0.77 m ³
BUCKET WIDTH	82 in	2082.8 mm
CLEARANCE AT MAX DUMP HEIGHT	8.8 ft in	2690 mm
REACH AT MAX DUMP HEIGHT	2.6 ft in	801 mm
DIG DEPTH	6.1 in	155 mm

Hydraulic

PUMP FLOW CAPACITY	40 gal/min	151.4 L/min
RELIEF VALVE PRESSURE	3450 psi	23786.9 kPa

Dimensions

TRANSPORT LENGTH	23.4 ft in	7140 mm
TRANSPORT WIDTH	7.1 ft in	2170 mm
TRANSPORT HEIGHT	10.8 ft in	3290 mm
HEIGHT TO TOP OF CAB	8.8 ft in	2680 mm
WHEELBASE	7 ft in	2130 mm
GROUND CLEARANCE	1 ft in	304 mm